

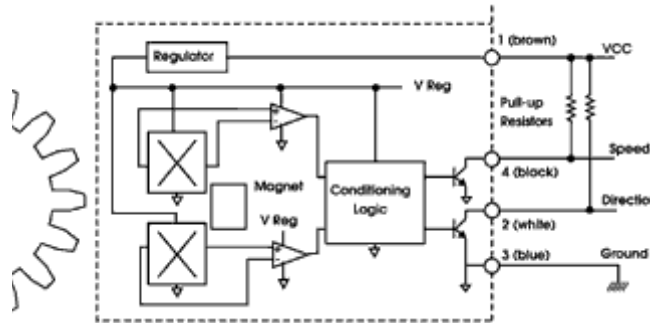
## CMCP245 Geartooth Speed and Direction Sensor

Hall effect geartooth speed and direction sensor with adjustable stainless steel housing.

- Sense Motion/Direction of Ferrous Geartooth Targets
- Separate Digital Outputs for Speed and Direction
- Immune from Hostile Environments
- High-Speed Capability
- Operate From 5 to 24Vdc
- Reverse Battery Protection to 24Vdc
- Wide Operating and Storage Temperature Range
- M12 Integral Connector Meets IEC60947 - 5 - 2
- Meet all IEC (International Electrotechnical Commission) Requirements for Heavy Industrial Environments, Assuring Immunity from:
  - ñ Electrostatic Discharge
  - ñ Electrical Transients
  - ñ Radiated Electric Field
  - ñ Conducted Energy
  - ñ Magnetic Field Energy



### Open Collector Sinking Block Diagram



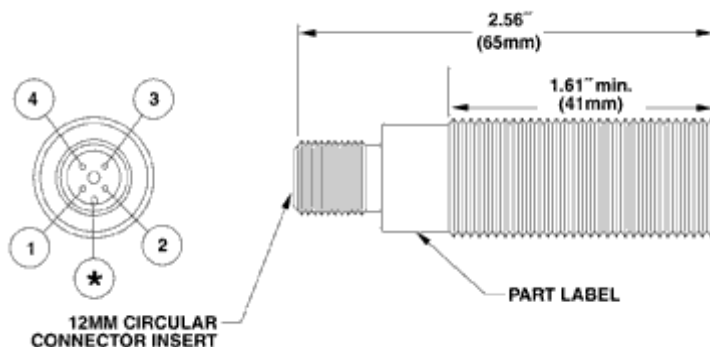
### Specifications

Operating Voltage Range (VDC): 4.75 to 24  
 Supply Current mA max: 17  
 Output: sink  
 Output Saturation Voltage mV max: 400  
 Output Current mA max: 25  
 Operate Temp. Range, °C: -40 to 85  
 Storage Temp. Range °C: -40 to 105  
 Housing: Thermo-Plastic

### Ordering Information:

CMCP245-	M18-1 Thread
CMCP245-	3/4"-16 Thread

### Barrel Dimensions



\*Keyway should be perpendicular to gear rotation